



LINE REFERENCE

PRODUCT DESCRIPTION - GOLDLINE CONTROLS

GOLDLINE CONTROLS

A HAYWARD COMPANY



ITEM NO.	DESCRIPTION	SUGG. LIST
AQUALOGIC		
01W444072	GLXPCBMAIN	Main PCB, Aqua Logic All Versions \$ 889.44
02W444072	GLXPCBEXP ◆	PCB Expansion Unit for PS16 889.44
03W167062	GLXLOCALP4 ◆	Local Display, P4 and PS4 (before date code 0311) 335.24
04W324030	GLXLOCALPS4 ◆	Local Display, PS4 (after date code 0311) 648.60
05W338088	GLXLOCALPS8 ◆	Local Display, PS8 677.76
06W360075	GLXLOCALPS16 ◆	Local Display, PS16 721.50
AQUARITE		
07W725014	GLXCTLRITE ◆	Control Unit \$ 1,450.28
08W225072	GLXPCBRITE	Main PCB 451.44
09W106039	GLXPCBDSP	Display PCB 212.78
AQUATROL		
10W531088	GLXCTLRHP ◆	Control Unit, Straight Blade for HP \$ 1,063.76
11W531088	GLXCTLRHPT ◆	Control Unit, Twistlock for HP 1,063.76
12W531088	GLXCTLRJR ◆	Control Unit, Straight Blade for RJ 1,063.76
13W531088	GLXCTLRJR ◆	Control Unit, Twistlock for RJ 1,063.76
14W029088	GLXRJELBOW ◆	Return Jet Fitting 59.76
15W0051098	GLXTROLTIMER ◆	24 Hour Time Clock 103.96
16W0225072	GLXPCBTROLRJ ◆	Main PCB Aquatrol RJ 451.44
17W0225072	GLXPCBTROLHP ◆	Main PCB Aquatrol HP 451.44
CHLORINATOR CELLS		
18W470000	GLXCELL15W	1 Year Warranty, 40K Turbo Cell \$ 940.00
19W-Quote	GLXCELL9W ◆	1 Year Warranty, 25K Turbo Cell QUOTE
20W-Quote	GLXCELL5W ◆	1 Year Warranty, 20K Turbo Cell QUOTE
21W-Quote	GLXCELL3W	1 Year Warranty, 15K Turbo Cell QUOTE
22W-Quote	GLXCELLPIPE ◆	Straight Pipe Placeholder for Turbo Cell QUOTE
23W015030	GLXCELLUNION	Union, Nut and Tailpiece, Zinch 30.60

◆ = Non-stock item. May require additional freight/handling charges.
For product info., see page 114-115 in the product section.



LINE REFERENCE

PRODUCT DESCRIPTION -

GOLDLINE CONTROLS continued



COMMON PARTS

01W064058	GLXRFEXTEND ◆	RF Base Extension, 50 Ft.	\$ 129.16
02W059022	GLXRELAY ◆	3 HP Relay for Aqua Logic Only	118.44
03W023002	GLXPWRW ◆	Power Supply, Wall Plug-In for Wireless Remote	46.04
04W042063	GLXDRK ◆	Rectifier Upgrade	85.26
05W115016	GLXFLORP	Flow Switch (15' cable, no tee)	230.32
06W143019	GLXFLORP25	Flow Switch (25' cable, no tee)	286.38
07W013084	GLXFLOT ◆	Tee for Flow Switch	27.68
08W122043	GLXXFMR ◆	Transformer	244.86
09W015030	GLXCELLUNION	Union, Nut and Tailpiece 2"	30.60
10W143019	GLXR10PK ◆	Rectifier (10 pack)	286.38
11W031054	GLXF2010PK ◆	20A Fuse Kit (10 pack)	63.08
		(for AquaRite/Trol before 11/04)	
12W035074	GLXF20A10PK ◆	21A/Yellow Fuse Kit (10 pack)	71.48
		(for AquaLogic/Rite/Trol after 11/04)	
13W035074	GLXF3A10PK ◆	3A/Violet Fuse Kit (10 pack) AquaLogic Only	71.48
14W021031	GLXFUSE20 ◆	Fuse Holder Kit (for AquaRite/Trol before 11/04)	42.62
15W032029	GLXPC12KIT	Temperature Sensor with 15 Ft. Leads & Hose Clamps	64.58

ACCESSORIES

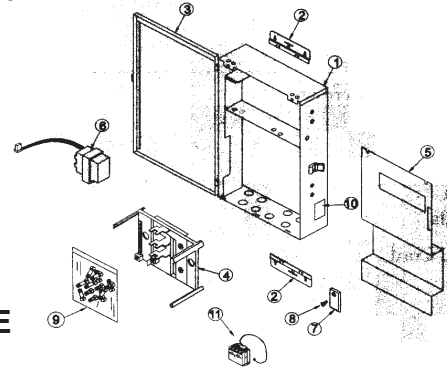
16W117072	GLXSALTMETER ◆	Handheld, Digital Salt Meter	\$ 235.44
17W012067	GLXCALSOL ◆	Calibration Solution for Salt Meter (3200 PPM)	25.33
18W019096	GLXCELLSTAND ◆	Cleaning Stand	39.92

◆ = Non-stock item. May require additional freight/handling charges.
For product info., see page 114-115 in the product section.

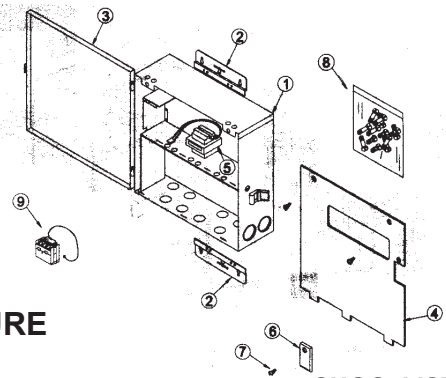


LINE REFERENCE

PRODUCT DESCRIPTION - JANDY AQUALINK RS

JANDY AQUALINK RS POWER CENTER**SUB PANEL ENCLOSURE**

	<u>ITEM NO.</u>	<u>KEY #</u>	<u>DESCRIPTION</u>	<u>SUGG. LIST</u>
01W-Quote	6614	1	Sub Panel Power Center, RS	\$ QUOTE
02W006063	6567 ◆	2	Power Center Mounting Brackets	13.25
03W-Quote	6931 ◆	3	Sub Panel Power Center Door	QUOTE
04W094044	6929 ◆	4	Breaker Mount Plate	188.87
05W094044	6932 ◆	5	Sub Panel Faceplate (Before 1/08)	188.87
06W089010	R0467000 ◆	5	Faceplate Bezel, Sub Panel w/Service Controller Knockout (10/07 models or later)	178.20
07W-Quote	R0466400 ◆	6	Transformer 120 / 24 VAC	QUOTE
08W026046	6721 ◆	7	Battery Door	52.92
09W001009	6559 ◆	8	Battery Door Screw	2.18
10W018078	6918 ◆	9	Bezel / Relay Mount Screw Set	37.57
11W084031	6070 ◆	10	GFCI Outlet (optional)	168.61
12W060077	R0658100 ◆	11	3 HP Relay with Harness	121.54
13W107032	6967+ ◆		Transformer 240 VAC	214.62

**STANDARD ENCLOSURE**

	<u>ITEM NO.</u>	<u>KEY #</u>	<u>DESCRIPTION</u>	<u>SUGG. LIST</u>
14W-Quote	6613	1	Standard Enclosure Power Center, RS	\$ QUOTE
15W006063	6567 ◆	2	Power Center Mounting Brackets	13.25
16W131066	6563+ ◆	3	Standard Enclosure Door	263.33
17W-Quote	6566 ◆	4	Standard Enclosure Faceplate	QUOTE
18W071082	R0466900 ◆	5	Transformer 120 / 24 VAC	143.64
19W026046	6721 ◆	6	Battery Door	52.92
20W001009	6559 ◆	7	Battery Door Screw	2.18
21W018078	6918 ◆	8	Bezel / Relay Mount Screw Set	37.57
22W064088	R0658100 ◆	9	3 HP Relay with Harness	129.76
23W107032	6967 ◆		Transformer 240 VAC	214.64

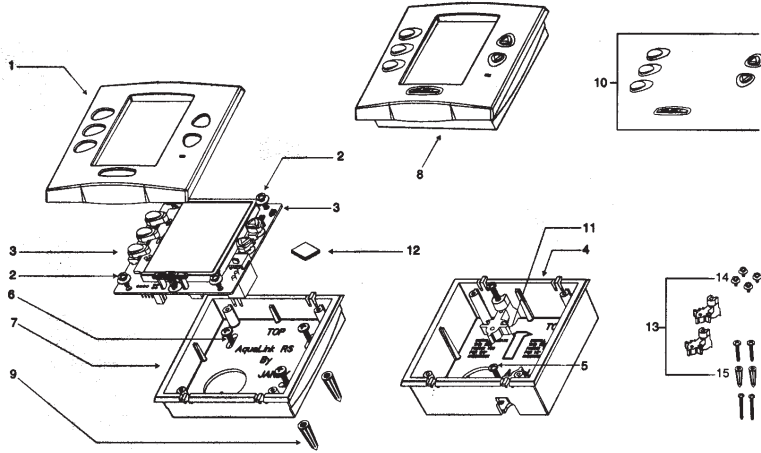
◆ = Non-stock item. May require additional freight/handling charges.
For product info., see page 120 in the product section.



LINE REFERENCE

PRODUCT DESCRIPTION - JANDY ONE TOUCH CONTROL PANEL

JANDY ONETOUCH CONTROL PANEL



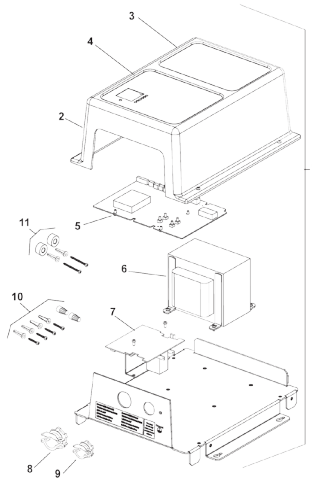
	<u>ITEM NO.</u>	<u>KEY #</u>	<u>DESCRIPTION</u>	<u>SUGG. LIST</u>
	01W017000	R0550100 ◆	1 OneTouch Faceplate, White	\$ 34.00
	02W017000	R0550200 ◆	1 OneTouch Faceplate, Black	34.00
	03W057008	R0550300 ◆	1 OneTouch Faceplate, Satin Chrome	104.16
	04W052060	R0550400 ◆	1 OneTouch Faceplate, Polished Chrome	105.19
	05W060010	R0550500 ◆	1 OneTouch Faceplate, Satin Brass	120.20
	06W060010	R0550600 ◆	1 OneTouch Faceplate, Polished Brass	120.20
	07W---N/A	2224 ◆	2 #6 x 3/8" Ph Pan Hd Type BT Screw (use kit R0551200)	N/A
	08W---N/A	4862 ◆	2 3/8" Buna Washer (use kit R0551200)	N/A
	09W420002	R0550700 ◆	3 PCB Subassembly with White Buttons and LCD	840.04
	10W512012	R0550800 ◆	3 PCB Subassembly with Black Buttons and LCD	1,032.24
	11W-Quote	R0550900 ◆	4 Flush Mount Housing White	QUOTE
	12W---N/A	3279 ◆	5 #6 x 1" Ph Pan Hd Type A Screw (use kit R0551300)	N/A
	13W---N/A	1325 ◆	6 #8 x 5/8" Ph Pan Hd Type A Screw (use kit R0551300)	N/A
	14W034000	R0551000 ◆	7 Surface Mount Housing, White	68.00
	15W034000	R0551100 ◆	7 Surface Mount Housing, Black	68.00
	16W-Quote	7953 ◆	8 OneTouch Control Panel, Complete Surface and Flush Mount, White	QUOTE
	17W-Quote	7954 ◆	8 OneTouch Control Panel, Complete Surface and Flush Mount, Black	QUOTE
	18W---N/A	4027 ◆	9 Sheet Rock Screw Anchor (use kit R0551300)	N/A
	19W026095	R0551400 ◆	10 OneTouch Replacement Buttons, White	53.90
	20W026095	R0551500 ◆	10 OneTouch Replacement Buttons, Black	53.90
	21W---N/A	7694 ◆	11 Flush Mount Sheet Rock Fastener Cleat (use kit R0551300)	N/A
	22W-Quote	8144 ◆	12 OneTouch Controller Chip	QUOTE
	23W015007	7952 ◆	13 RS Controller Mount Kit (includes R0551200, R0551300 and (2) 7694)	30.14
	24W008095	R0551200 ◆	14 OneTouch PCB Screw Kit (includes (4) 2224 and (4) 4862)	17.91
	25W011044	R00551300 ◆	15 OneTouch Housing Screw Kit (includes (2) 3279, (3) 1325 and (3) 4027)	22.88
	26W488096	R0551800 ◆	OneTouch Service Controller w/ 10' Cable and Connector	977.93

◆ = Non-stock item. May require additional freight/handling charges.
For product info., see page 120 in the product section.

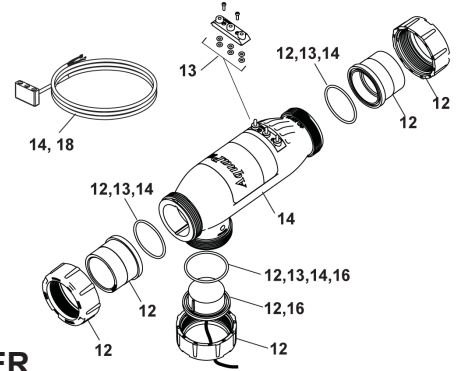


LINE REFERENCE

PRODUCT DESCRIPTION - JANDY AQUAPURE



JANDY AQUAPURE



PLASTIC CONTROL CENTER

	<u>ITEM NO.</u>	<u>KEY #</u>	<u>DESCRIPTION</u>	<u>SUGG. LIST</u>
01W966018	R0402900 ◆	1	Control Box Complete - APURE700	\$ 1,932.35
02W966018	R0403000 ◆	1	Control Box Compete - APURE1400	1,932.35
03W108045	R0403100 ◆	2	Control Box Cover - APURE700	216.91
04W108045	R0403200 ◆	2	Control Box Cover - APURE1400	216.91
05W021026	R0404300 ◆	3	Control Box Decal Top - APURE	42.52
06W023021	R0404400 ◆	4	Control Box Decal Bottom - APURE	46.42
07W317029	R0403900 ◆	5	PCB Front LED	634.58
08W231087	R0481400 ◆	6	Transformer	463.74
09W122016	R0404000 ◆	7	PCB Back - APURE700	244.31
10W122016	R0404100 ◆	7	PCB Back - APURE1400	244.31
11W000093	M1033 ◆	8	Strain Relief, Power	1.86
12W001071	M1034 ◆	9	Strain Relief, Data	3.42
13W012090	R0412900 ◆	10	Mounting Hardware Kit (side mount)	25.80
14W-Quote	AZ008 ◆	11	Mounting Hardward Kit (old style, spacers)	QUOTE
15W-Quote	R000100 ◆	--	Power Supply Cover Support Bracket - APURE	QUOTE

3-PORT CELL

16W028073	R0452100 ◆	12	Universal Union Kit (includes: union nuts, o-rings, tailpieces and plug)	\$ 57.46
17W005093	R0452200 ◆	13	O-Rings and Terminal Adapter Kit (includes: o-rings, terminal adapter, screws)	11.86
18W496029	R0452300 ◆	14	Cell Kit - APURE700 (includes: cell, o-rings and 16' DC cord)	992.57
19W724051	R0452400 ◆	14	Cell Kit - APURE1400 (includes: cell, o-rings and 16' DC cord)	1,449.01
20W235041	R0452500 ◆	16	16' Sensor Kit (includes: sensor and o-ring)	470.81
21W256048	R0476400 ◆	16	25' Sensor Kit Slotted 3 Port Cell	512.96
22W-Quote	SP3P ◆	17	Spool Piece and Cleaning Kit (includes: spool piece, o-ring, union nuts, tailpiece, plug and caps)	QUOTE
23W062054	R0402800 ◆	18	16' DC Cord	125.18
24W088079	R0476300 ◆	18	25' DC Cord	177.59
25W389066	M1003 ◆	--	Myron Meter	779.32

◆ = Non-stock item. May require additional freight/handling charges.
For product info., see page 119 in the product section.