



LINE REFERENCE

PRODUCT DESCRIPTION - GOLDLINE CONTROLS

GOLDLINE CONTROLS GOLDLINE CONTROLS

A HAYWARD COMPANY

ITEM NO.	DESCRIPTION	SUGG. LIST
AQUALOGIC		
01W413056	GLXPCBMAIN ◆ Main PCB, Aqua Logic All Versions	\$ 827.12
02W413056	GLXPCBEXP ◆ PCB Expansion Unit for PS16	827.12
03W149089	GLXLOCALP4 ◆ Local Display, P4 and PS4 (before date code 0311)	299.78
04W289099	GLXLOCALPS4 ◆ Local Display, PS4 (after date code 0311)	579.98
05W303002	GLXLOCALPS8 ◆ Local Display, PS8	606.04
06W322058	GLXLOCALPS16 ◆ Local Display, PS16	645.16
AQUARITE		
07W648010	GLXCTLRITE ◆ Control Unit	\$ 1,296.80
08W209092	GLXPCBRITE ◆ Main PCB	419.84
09W103088	GLXPCBDSP ◆ Display PCB	207.76
AQUATROL		
10W475059	GLXCTLTRHP ◆ Control Unit, Straight Blade for HP	\$ 951.18
11W475059	GLXCTLTRHPT ◆ Control Unit, Twistlock for HP	951.18
12W475059	GLXCTLTRRJ ◆ Control Unit, Straight Blade for RJ	951.18
13W475059	GLXCTLTRRJT ◆ Control Unit, Twistlock for RJ	951.18
14W032081	GLXRJELBOW ◆ Return Jet Fitting	65.62
CHLORINATOR CELLS		
15W580069	GLXCELL015 ◆ 15 Ft. Cable Turbo Cell, AquaRite and Logic	\$ 1,161.38
16W530086	GLXCELL1525 ◆ 25 Ft. Cable Turbo Cell, AquaRite and Logic	1,061.72
17W327080	GLXCELL5 ◆ 15 Ft. Cable Turbo Cell, AquaTrol	655.60
18W024006	GLXCELLPIPE ◆ Straight Pipe Placeholder for Turbo Cell	48.12
COMMON PARTS		
19W060064	GLXRFEXTEND ◆ RF Base Extension, 50 Ft.	\$ 121.28
20W065002	GLXRELAY ◆ 3 HP Relay for Aqua Logic Only	130.04
21W021062	GLXPWRW ◆ Power Supply, Wall Plug-In for Wireless Remote	43.24
22W040002	GLXDRK ◆ Rectifier Upgrade	80.04
23W126044	GLXFLOP ◆ Flow Switch (15' cable, no tee)	252.88
24W134044	GLXFLOP25 ◆ Flow Switch (25' cable, no tee)	268.88
25W015022	GLXFLOT ◆ Tee for Flow Switch	30.44
26W129028	GLXXFMR ◆ Transformer	258.56
27W016081	GLXCELLUNION ◆ Union, Nut and Tailpiece 2"	33.62
28W134044	GLXR10PK ◆ Rectifier (10 pack)	268.88
29W034063	GLXF2010PK ◆ 20A Fuse Kit (10 pack)	69.26
30W039024	GLXF20A10PK ◆ 21A/Yellow Fuse Kit (10 pack)	78.48
31W039024	GLXF3A10PK ◆ 3A/Violet Fuse Kit (10 pack) AquaLogic Only	78.48
32W020000	GLXFUSE20 ◆ Fuse Holder Kit (for AquaRite/Trol before 11/04)	40.00
33W030032	GLXPC12KIT ◆ Temperature Sensor with 15 Ft. Leads & Hose Clamps	60.64
ACCESSORIES		
34W129090	GLXSALTMETER ◆ Handheld, Digital Salt Meter	\$ 258.58
35W007021	GLXCALSOL ◆ Calibration Solution for Salt Meter (3200 PPM)	15.42
36W029033	GLXCELLSTAND ◆ Cleaning Stand	58.66

◆ = Non-stock item. May require additional freight/handling charges.
For product info., see page 94-95 in the product section.

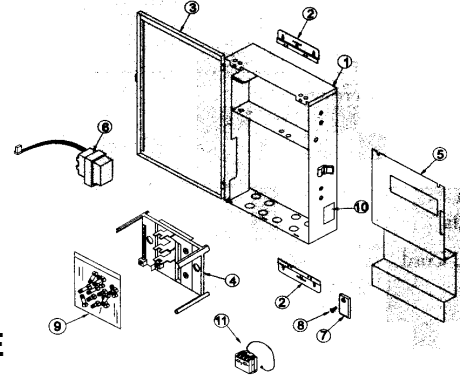


LINE REFERENCE

PRODUCT DESCRIPTION - JANDY AQUALINK RS

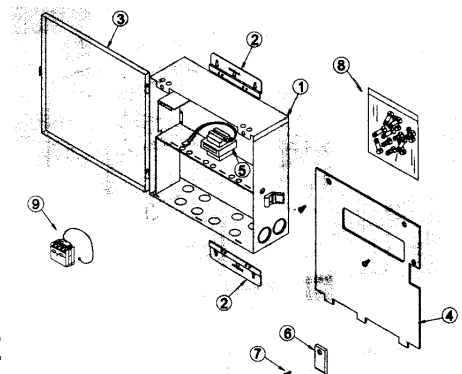
JANDY AQUALINK RS POWER CENTER

JANDY CONTROL PARTS



SUB PANEL ENCLOSURE

ITEM NO.	KEY #	DESCRIPTION	SUGG. LIST
01W487028	6614	1 Sub Panel Power Center, RS	\$ 974.56
02W006031	6567 ◆	2 Power Center Mounting Brackets	12.62
03W091020	6931 ◆	3 Sub Panel Power Center Door	182.40
04W089011	6929 ◆	4 Breaker Mount Plate	178.22
05W089011	6932 ◆	5 Sub Panel Faceplate	178.22
06W096029	6612 ◆	6 Transformer 120 / 24 VAC	192.59
07W024098	6721 ◆	7 Battery Door	49.96
08W001003	6559 ◆	8 Battery Door Screw	2.06
09W017089	6918 ◆	9 Bezel / Relay Mount Screw Set	35.78
10W079054	6070 ◆	10 GFCI Outlet (optional)	159.08
11W063097	R0658100 ◆	11 3 HP Relay with Harness	127.94
12W101027	6967 ◆	Transformer 240 VAC	202.54



STANDARD ENCLOSURE

ITEM NO.	KEY #	DESCRIPTION	SUGG. LIST
13W479032	6613	1 Standard Enclosure Power Center, RS	\$ 958.64
14W006031	6567 ◆	2 Power Center Mounting Brackets	12.62
15W124021	6563 ◆	3 Standard Enclosure Door	248.42
16W089011	6566 ◆	4 Standard Enclosure Faceplate	178.22
17W096029	6612 ◆	5 Transformer 120 / 24 VAC	192.59
18W024098	6721 ◆	6 Battery Door	49.96
19W001003	6559 ◆	7 Battery Door Screw	2.06
20W017089	6918 ◆	8 Bezel / Relay Mount Screw Set	35.76
21W063097	R0658100 ◆	9 3 HP Relay with Harness	127.94
22W101027	6967 ◆	Transformer 240 VAC	202.54

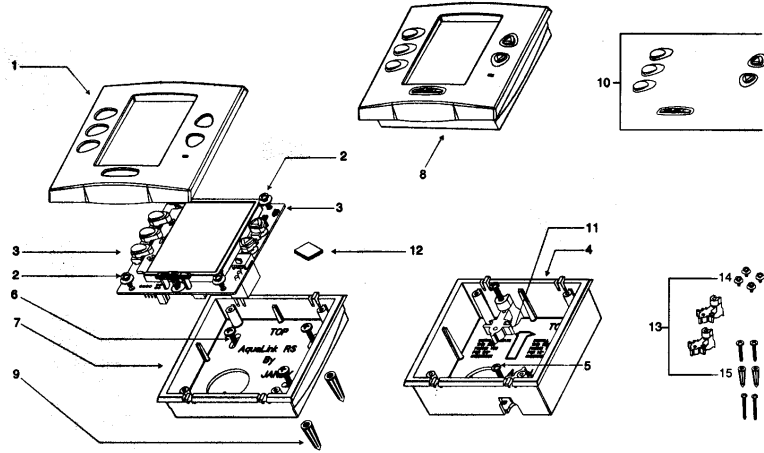
◆ = Non-stock item. May require additional freight/handling charges.
 For product info., see page 98 in the product section.



LINE REFERENCE

PRODUCT DESCRIPTION - JANDY ONE TOUCH CONTROL PANEL

JANDY ONETOUCH CONTROL PANEL



JANDY CONTROL PARTS

	<u>ITEM NO.</u>	<u>KEY #</u>	<u>DESCRIPTION</u>	<u>SUGG. LIST</u>
01W016026	R0550100 ◆	1	OneTouch Faceplate, White	\$ 32.52
02W016026	R0550200 ◆	1	OneTouch Faceplate, Black	32.52
03W049062	R0550300 ◆	1	OneTouch Faceplate, Satin Chrome	99.24
04W049062	R0550400 ◆	1	OneTouch Faceplate, Polished Chrome	99.24
05W056071	R0550500 ◆	1	OneTouch Faceplate, Satin Brass	113.42
06W056071	R0550600 ◆	1	OneTouch Faceplate, Polished Brass	113.42
07W---N/A	2224 ◆	2	#6 x 3/8" Ph Pan Hd Type BT Screw	N/A
08W---N/A	4862 ◆	2	3/8" Buna Washer (use kit R0551200)	N/A
09W593066	R0550700 ◆	3	PCB Subassembly with White Buttons and LCD	1,187.32
10W593066	R0550800 ◆	3	PCB Subassembly with Black Buttons and LCD	1,187.32
11W-Quote	R0550900 ◆	4	Flush Mount Housing White	QUOTE
12W---N/A	3279 ◆	5	#6 x 1" Ph Pan Hd Type A Screw (use kit R0551300)	N/A
13W---N/A	1325 ◆	6	#8 x 5/8" Ph Pan Hd Type A Screw (use kit R0551300)	N/A
14W032007	R0551000 ◆	7	Surface Mount Housing, White	64.14
15W032007	R0551100 ◆	7	Surface Mount Housing, Black	64.14
16W586008	7953 ◆	8	OneTouch Control Panel, Complete Surface and Flush Mount, White	1,172.16
17W586008	7954 ◆	8	OneTouch Control Panel, Complete Surface and Flush Mount, Black	1,172.16
18W---N/A	4027 ◆	9	Sheet Rock Screw Anchor (use kit R0551300)	N/A
19W025067	R0551400 ◆	10	OneTouch Replacement Buttons, White	51.34
20W025067	R0551500 ◆	10	OneTouch Replacement Buttons, Black	51.34
21W---N/A	7694 ◆	11	Flush Mount Sheet Rock Fastener Cleat (use kit R0551300)	N/A
22W-Quote	8144 ◆	12	OneTouch Controller Chip	QUOTE
23W014022	7952 ◆	13	RS Controller Mount Kit (includes R0551200, R0551300 and (2) 7694)	28.44
24W008044	R0551200 ◆	14	OneTouch PCB Screw Kit (includes (4) 2224 and (4) 4862)	16.88
25W010081	R00551300 ◆	15	OneTouch Housing Screw Kit (includes (2) 3279, (3) 1325 and (3) 4027)	21.62
26W379023	R0551800 ◆		OneTouch Service Controller w/ 10' Cable and Connector	758.46

◆ = Non-stock item. May require additional freight/handling charges.
For product info., see page 98 in the product section.